

Install Instructions

Distribution: All, Web, Include

Relevant Models: 900 94-98, 9-3 99-02 + 03cv Manual Gearbox

Part No : 4376176u

Sport Transmission Mount

Background

Motorsport derived Transmission Mount for NG 900, 9-3 94-02 Manual Gearbox variants. Tightens shifter feel. This product is an original Taliaferro design. Helps eliminate mount failures on high output vehicles. Slightly increases vibration in the cabin but keeps it at a reasonable level. Reduces drivetrain slop giving a much better feel. Urethane insert with custom steel housing. Made in house by the Taliaferro gang.

Method

- **Raise the vehicle**

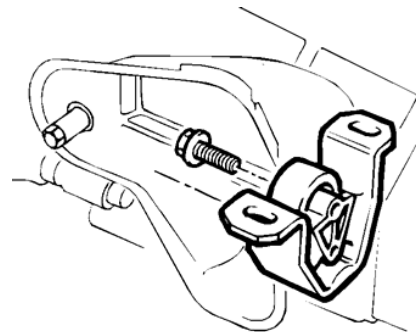
Use short ramps or position the vehicle on a lift. It is possible without lifting the car but it will be more difficult without the added clearance. If using a floor jack support the car solidly on jack stands.

- **Prepare**

Remove the plastic splash shield if required. (Not Vigen) Support the gearbox by raising the gearbox with a floor jack. Use a small board as a spacer to protect the case.

- **Remove original mount**

Remove the 2 vertical mounting bolts first. Lower the engine slightly. Then remove the two horizontal bolts. These fasteners will be reused. You may need a swivel socket for some variants.



- **Fit Replacement**

Use Blue thread locker on all bolts. Fit the new mount with the Horizontal bolts. **(Torque to 29 lbs ft)**. Raise the jack and fit the mount to the body. **(Torque to 54 lbs ft)**. Refit the plastic shield and lower the car.

Note: We cannot be responsible for problems related to incorrect installation. If you do not have the necessary tools or skills it is best to have a trained professional perform the install.